

## Nylon Insulated Piggyback with Support Sleeve

**Material:** Tin Plated Brass

**Insulation Material:** 6/6 UL94V2 Nylon

**Maximum Electrical Rating:** 105°C, 300V

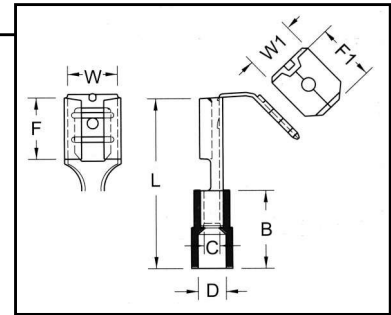
**Maximum Electrical Current:** 22-16: 10 Amps  
 16-14: 15 Amps  
 12-10: 24 Amps

**Barrel ID (d1):** 0.067

**Barrel ID (d1):** 0.091

**Barrel ID (d1):** 0.134

T= Material Thickness



HOFFMAN PART NO.	WIRE SIZE	TAB	DIMENSIONS (INCHES)								T	TAPE UL	DIE FOR MOUNT REEL QTY	HAND TAPE MOUNT	TOOL
			W	W1	F	F1	L	B	D						
FNDDFM2216T250A	22-16	.250 x .032	0.260	0.250	0.315	0.323	0.906	0.433	0.157	0.016	Y	NA	NA	YNM2210D	
FNDDFM1614T250A	16-14	.250 x .032	0.260	0.250	0.315	0.323	0.906	0.433	0.197	0.016	Y	NA	NA	YNM2210D	
FNDDFM1210T250A	12-10	.250 x .032	0.260	0.250	0.315	0.323	0.945	0.512	0.256	0.016	Y	NA	NA	YNM2210D	

## Knife Disconnects

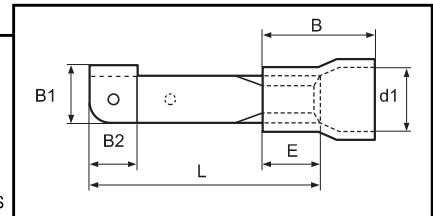
### Vinyl Insulated Knife Disconnects

**Material:** Tin Plated Brass

**Insulation Material:** Vinyl

**Maximum Electrical Rating:** 75°C, 300V

T= Material Thickness



HOFFMAN PART NO.	WIRE SIZE	TAB	DIMENSIONS (INCHES)							T	UL	TAPE MOUNT REEL QTY	DIE FOR TAPE MOUNT	HAND TOOL
			L	E	B1	B2	B	D						
FV2216K/J	22-16	NA	0.673	0.189	0.197	0.161	0.354	0.157	0.031	NA	NA	NA	YHM228	
FV1614K/J	16-14	NA	0.717	0.173	0.197	0.154	0.354	0.177	0.031	NA	NA	NA	YHM228	
FV1210K/J	12-10	NA	0.917	0.244	0.280	0.220	0.531	0.268	0.039	NA	NA	NA	YHM228	